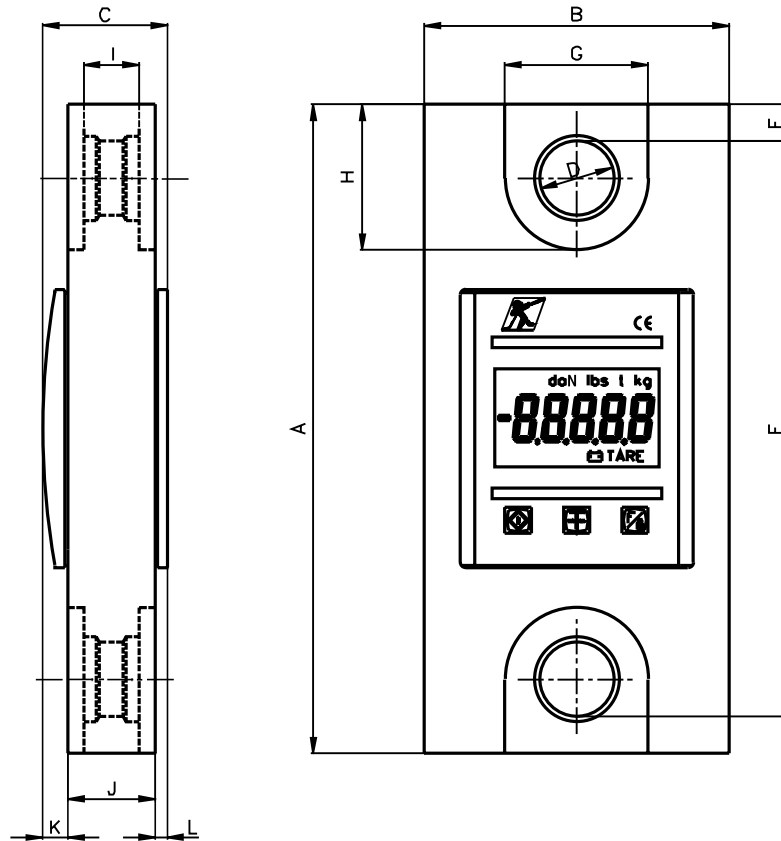




**Technical specification and dimensions :**



| Models                      | LLZ - 0,25 | LLZ - 0,5 | LLZ - 1 | LLZ - 2 | LLZ - 3,2 | LLZ - 6,4 | LLZ - 10 | LLZ - 20 |
|-----------------------------|------------|-----------|---------|---------|-----------|-----------|----------|----------|
| Code                        | 0396980    | 0396981   | 0396982 | 0396983 | 0396984   | 0396985   | 0396986  | 0396987  |
| Capacity                    | t          | 0,25      | 0,5     | 1       | 2         | 3,2       | 6,4      | 20       |
| Accuracy 0.8 %              | ± kg       | 2         | 4       | 8       | 15        | 25        | 50       | 150      |
| Smallest load increment     | kg         | 0,5       | 1       | 2       | 5         | 5         | 10       | 50       |
| Test load                   | t          | 0,5       | 1       | 2       | 4         | 6,4       | 12,8     | 40       |
| Max. display                | kg         | 250       | 500     | 1000    | 2000      | 3200      | 6400     | 20000    |
| Height of display           | mm         | 18        | 18      | 18      | 18        | 18        | 18       | 18       |
| Weight                      | kg         | 1,1       | 1,1     | 1,1     | 1,3       | 1,5       | 2,3      | 7        |
| Dimensions mm               | A          | 220       | 220     | 220     | 233       | 243       | 275      | 371      |
|                             | B          | 90        | 90      | 90      | 90        | 97        | 115      | 134      |
|                             | C          | 42        | 42      | 42      | 48        | 48        | 48       | 72       |
|                             | Ø D        | 14        | 14      | 14      | 22        | 22        | 28       | 54       |
|                             | E          | 196       | 196     | 196     | 207       | 207       | 217      | 269      |
|                             | F          | 12        | 12      | 12      | 13        | 18        | 29       | 51       |
|                             | G          | 35        | 35      | 35      | 45        | 45        | 54       | 84       |
|                             | H          | 36,5      | 36,5    | 36,5    | 46,5      | 51,5      | 70       | 120      |
|                             | I          | 16        | 16      | 16      | 25        | 25        | 31       | 65       |
|                             | J          | 27        | 27      | 27      | 33        | 33        | 33       | 67       |
|                             | K          | 10        | 10      | 10      | 10        | 10        | 5        | 5        |
|                             | L          | 5         | 5       | 5       | 5         | 5         | -        | -        |
| Shackles class S NF E52-144 |            |           |         |         |           |           |          |          |
| Code                        | 0437206    | 0437206   | 0437206 | 0437207 | 0437207   | 0437208   | 0437209  | 0437210  |
| Capacity                    | t          | 1,5       | 1,5     | 1,5     | 3,25      | 3,25      | 6,5      | 25       |
| Pin diameter                | mm         | 13        | 13      | 13      | 20        | 20        | 25       | 50       |