

technical data sheet

dynafor™ series LLX1
Electronic traction dynamometer
W.L.L. : 0.5 to 20 t

ref. : T 2435 GB
rev. n° : -
date : 04/12
page : 1/2

Description

The dynafor™ LLX1 dynamometers are precision force sensors used to measure forces and indicate loads. The shape of the dynamometers enables the use of standard shackles on both ends.

The dynamometers of this range function in all positions for the measurement of force and suspended for weighing purpose.

Operating Principle

Strain gauge measurement of the extension, within its limits of elasticity, of a metal body subjected to traction stress.

The sensor generates an electrical signal that is proportional to the load. This signal is processed by a micro-processor analyser and then displayed on a built in LCD display.

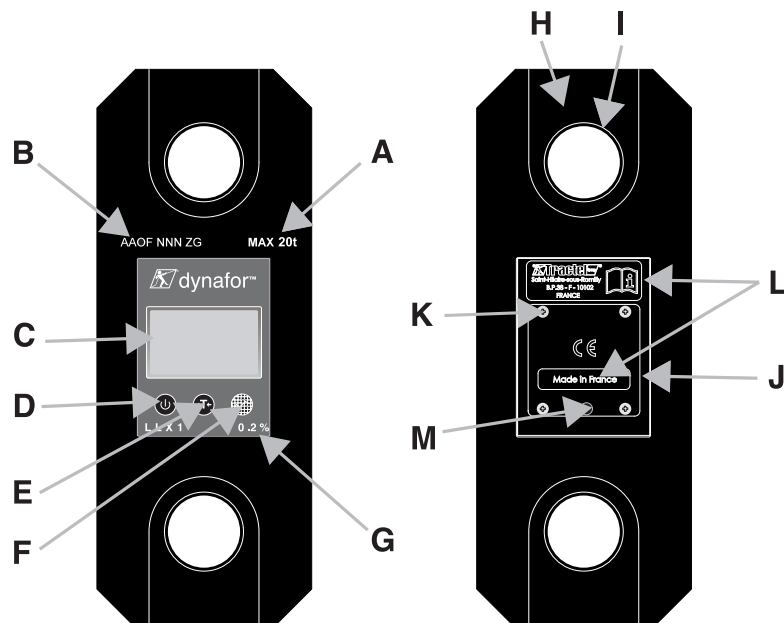
Technical Specifications

- Capacities from 0,5 t up to 20 t
- Precision: 0,2 % of full scale.
- Safety coefficient : minimum 4
- Power supply : 3 batteries 1,5 V "AA" or 3 rechargeable batteries 1,2 V "AA"
- Packaging : plastic carrying case
- Protection : IP 65 (NEMA 4)
- See details on page 2

Options and accessories :

- Bow shackles
- Swivel hooks
- Radio Remote display, type LLX1.

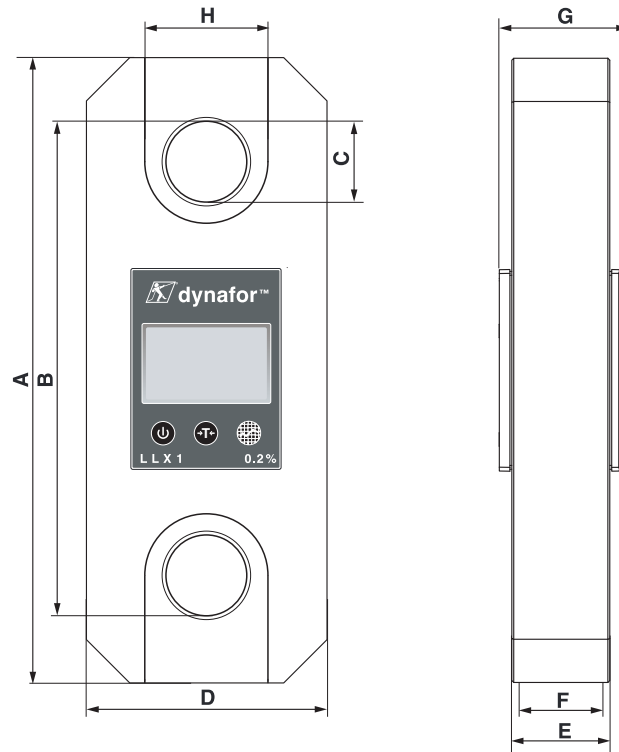
A	Capacity
B	Serial No.
C	LCD screen
D	T1 ON/OFF button
E	T2 Tare button
F	T3 Peak load button
G	Accuracy
H	Sensor weight
I	Hole for shackle
J	Battery compartment cover
K	Mounting screw
L	Manufacturer's markings
M	Programming jack



technical data sheet

dynafor™ series LLX1
Electronic traction dynamometer
W.L.L. : 0.5 to 20 t

ref. : **T 2435 GB**
rev. n° : -
date : **04/12**
page : **2/2**



MODEL		LLX1 0.5 t	LLX1 1 t	LLX1 2 t	LLX1 3.2 t	LLX1 5 t	LLX1 6.3 t	LLX1 12.5 t	LLX1 20 t
Maximum capacity	t	0.5	1	2	3.2	5	6.3	12.5	20
Test load	t	0.75	1.5	3	4.8	7,5	9.6	18.75	30
Safety coefficient		Minimum 4							
Precision		0.2 % FS							
	± daN	1	2	4	6	10	13	25	40
Increment	daN	0.2	0.5	1	1	2	2	5	10
Max. Display	daN	110 % maximum capacity							
Number height	mm	18							
Autonomy		450 h (Batteries 1.5 V "AA ")							
Weight	kg	1.1	1.1	1.3	1.5	2.3	2.3	4.3	7
IP Protection		I.P. 65							
Usafe		From - 20° to 40°C							
Sensitivity to T°		0.05% per 10°C							
Sensor material		Aluminium							
Dimensions mm	A	220	220	233	243	275	275	343	371
	B	196	196	207	207	217	217	257	269
	C	14	14	22	22	28	28	42	54
	D	90	90	100	100	115	115	125	134
	E	32	32	32	32	32	32	51	67
	F	16	16	24	24	29	29	48	64
	G	47.5	47.5	47.5	47.5	47.5	47.5	66.5	67
	H	45	45	50	50	57	57	62	66
Radio option		RF technology: Zigbee 2.4 GHz			Range : 40 m in free field, see details in operation manual				

PMH International AB
Ekenäsgatan 6
Box 1514
271 00 Ystad



Tel. 0411-138 00
Fax. 0411-174 13
E-post: info@pmh.se
Hemsida: www.pmh.se