

technical data sheet

dynaforange LLXh

Electronic dynamometer
with removable display unit
W.L.L. : 15 to 250 t

ref. : T 2027 GB
rev. n° : 01
date : 06/09
page : 1/2

Description

Range of electronics' traction dynamometers with removable display unit. The radio connection (2.4 G. Hertz) with 80 m working range is permanent between the LLXh sensor and the display unit.

The shape of the dynamometers enable the use of standard shackles on both ends.

The dynamometers of this range function in all positions for the measurement of force and suspended for weighing purpose.

Capacities: 15, 25, 50, 100 and 250 tons.

Operating Principle

Strain gauge measurement of the extension, within its limits of elasticity, of a metal body subjected to traction stress.

The sensor generates an electrical signal that is proportional to the load. This signal is processed by a micro-processor analyser and then transmitted via radio waves to the display unit, which immediately displays the load applied to the sensor to which it is linked. The display unit is compatible with all of the LLX 2 model sensors, irrespective of their capacity.

Provisions applied :

Machine Directives : 98/37/CEE

European Standards : EN 12100-1 and 12100-2

CEM Directive : 89/336/CEE

Electrical Safety : IEC 61010-1 2de Edition 2001

Radio certifications : CE :Radio test EN 300 440-2 V1.1.1 / USA & Canada : FCC part 15 / Australia : C-Tick ID

R&TTE Directive (1999/5/CE)

Technical Specifications:

Precision: 0.2 % (ISO 376 . 21 °C)

Coefficient safety: minimum 4

Power supply: 3 x 1.5 V "AA" batteries. Removable

Display 1 x LI ONE battery (delivered with charger)

The standard version of the equipment comes with batteries and power pack in a carrying case for capacities up to 50 t and wood case for 100 t and 250 t.

Protection : IP 65, NEMA 4 (sensor)

More details are available on page 2.

Optional Accessories

PC connection Kit

Connecting shackles

Swivel hooks as LLX

I.P. 67 Protection



PMH International AB
Ekenäsgatan 6
Box 1514
271 00 Ystad



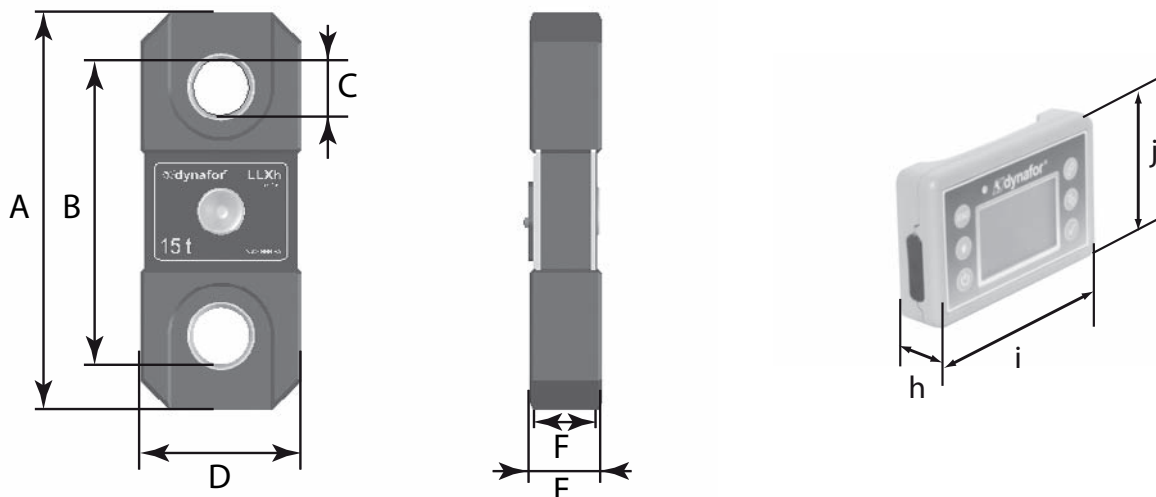
Tel. 0411-138 00
Fax. 0411-174 13
E-post: info@pmh.se
Hemsida: www.pmh.se

technical data sheet

dynaforange LLXh

Electronic dynamometer
with removable display unit
W.L.L. : 15 to 250 t

ref. : T 2027 GB
rev. n° : 01
date : 06/09
page : 2/2



MODEL		LLXH 15 t	LLXH 25 t	LLXH 50 t	LLXH 100 t	LLXH 250 t	Display
Maximum capacity	t	15	25	50	100	250	ALL
Test load	t	30	50	100	200	500	-
Safety coefficient		Minimum 4					-
Precision		0,2 % according to ISO 376 . 21°C					-
	daN	30	50	100	200	500	-
Increment	daN	5	10	20	50	100	<-
Max. display		16500 daN	27500 daN	55000 daN	110.00 t	275.00 t	<-
Number height	mm	-	-	-	-	-	25
Autonomy		From 300 to 1000 h depending of functions					48 h
Radio scope	m	80 (in open field) (I.P. 67 = 60)					
RF Technology		2.4 Ghz					
Weight	kg	4	6.6	15.1	46	215	0.180
IP Protection		I.P. 65 (option : I.P. 67)					I.P. 54
Usage		From - 20° to 40°C					
Sensitivity to T°		0.05% per 10°C					
Sensor material		Aluminium					-
Dimensions mm	A	320	360	440	660	905	-
	B	247.5	277	338	488	685	-
	ØC	47.5	56	72	108	150	-
	D	130	134	164	260	424	-
	E	58	68	98	118	248	-
	F	48	58	86	104	190	-
	h	-	-	-	-	-	26.7
	i	-	-	-	-	-	131
j	-	-	-	-	-	82	