

KITO

Manual Chain Hoist CB - ATEX

up to 3 t

EX-protected
Ex II 2Gc II BT4
Ex II 2Dc 135 °C



> **Allows the operation in potentially explosive atmosphere**

Conforms to ATEX

Directive 94/9/EC

> **Increased safety for temperature limit range**

Maximum equipment temperature 135 °C

> **Safe operation in potentially explosive atmosphere**

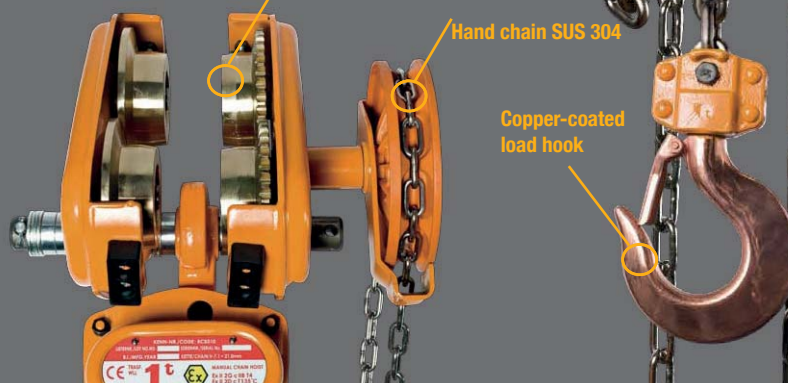
Protected against explosive gases, vapors and dust

ATEX Directive 94/9/EC

Solid bronze
(Bronze coated for 3 t)

Hand chain SUS 304

Copper-coated
load hook



Made in Japan!



Ex II 2G c IIB T4
Ex II 2D c 135 °C

Ex-protected equipment

Device group
II = Above ground operation

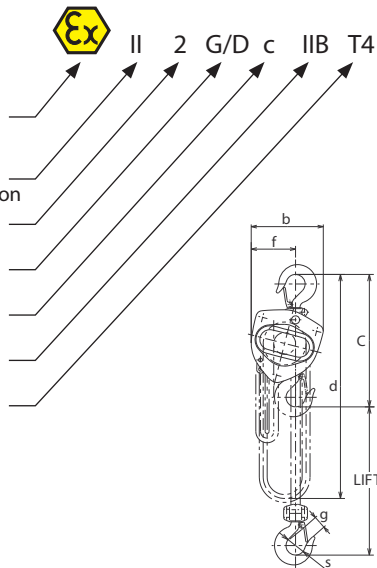
2 = Device category

Ex-Atmosphere
G = Gases, vapors
D = Dusts

c = Constructive safety

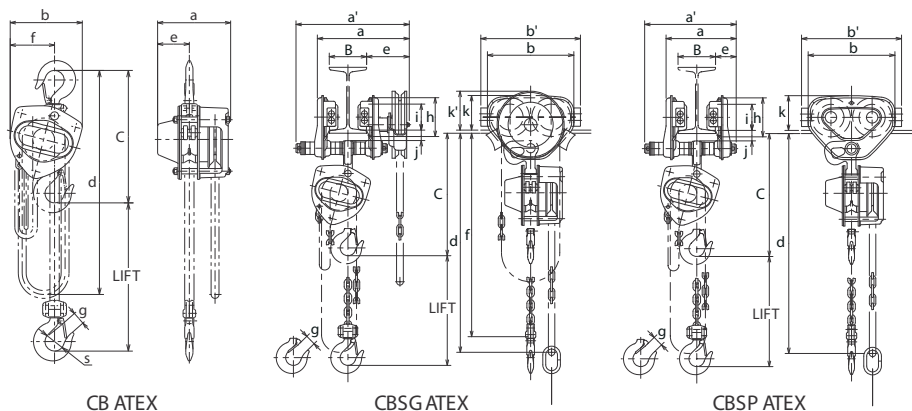
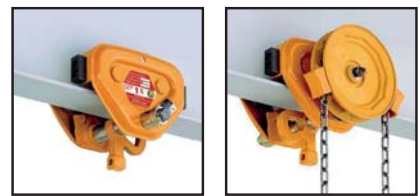
Danger class gases

Temperature Class
T4 = max. 135 °C



Option:

- Universal Trolleys TS model ATEX version
- Overload Protection Device (OLL)



CB ATEX Specifications

Rated load (W.L.L) (t)	Code	Std. Lift (m)	Hand chain folded length (m)	Chain pull to lift full load (N)	Chain o' hauled to lift load one meter (m)	Load chain dia x chain fall (mm)	Test load (t)	Mass [net weight] (kg)	Shipping Mass [weight] [approx.] (kg)	Mass [weight] in kg for additional one meter of lift (kg)
0.5	CB005 ATEX	2.5	2.5	142	43	6.3x1	0.75	11.5	12	1.8
1.0	CB010 ATEX	2.5	2.5	214	57	7.1x1	1.5	14.5	15	2.1
2.0	CB020 ATEX	3.0	3.0	221	114	7.1x2	3.0	24.0	26	3.2
3.0	CB030 ATEX	3.0	3.5	200	198	9.0x2	4.5	41.0	43	4.4

Dimensions (mm)

Rated load (W.L.L) (t)	Headroom :C	a	b	d	e	f	g	s
0.5	295	162	161	2500	71	99	29.0	42.5
1.0	350	171	182	2500	78	112	34.0	47.5
2.0	510	171	235	3100	78	162	42.5	56.0
3.0	600	192	282	3600	91	194	46.5	63.0

CBSG (CBSP) ATEX Specifications

Rated load (W.L.L) (t)	Code	Std. Lift (m)	Hand chain folded length (m)	Load chain dia x chain fall (mm)	Test load (t)	Mass [net weight] (kg)	Mass [weight] in kg for additional one meter of lift (kg)
0.5	CBSG (CBSP) 005 ATEX	2.5	2.5	6.3x1	0.75	24 (19)	2.7 (1.8)
1.0	CBSG (CBSP) 010 ATEX	2.5	2.5	7.1x1	1.5	32 (28)	3.0 (2.1)
2.0	CBSG (CBSP) 020 ATEX	3.0	3.0	7.1x2	3.0	48 (44)	4.1 (3.2)
3.0	CBSG (CBSP) 030 ATEX	3.0	3.5	9.0x2	4.5	92 (87)	5.4 (4.4)

Dimensions (mm)

Rated load (W.L.L) (t)	Headroom :C	a (max)	a'	b	b'	d	e	f	g	h	i	j	k	k'
0.5	305	275 (215)	309 (249)	236	272	2500	116 (56)	2200	29.0	106	71	28	95	106
1.0	365	349 (218)	385 (300)	280	316	2500	154 (69)	2200	34.0	127	85	34	112	109
2.0	535	359 (280)	398 (320)	324	374	3100	157 (79)	2700	42.5	148	100	36	134	114
3.0	660	377 (273)	401 (297)	400	450	3600	156 (53)	3200	46.5	169	118	47	144	131

• The functions and performance of the products mentioned in the catalogue have been designed based on the related regulatory standards. If they are used for other than their intended purposes such as being integrated into your equipment, we will not take any responsibility for accidents attributable to their unintended usages as well as guarantee their performance and functions. Never remodel our products.
 • In case you intend to use our products for special purposes, consult us in advance.
 • In case you intend to export our products, consult us in advance. There are different standards and regulations from one destination to another.
 • It is prohibited to reprint, copy or divert all the information in this catalogue (product patents, trademarks, photos, designs, copies, illustrations, etc.) without our consent.
 • The specifications in this catalogue are partly subject to change without prior notice.
 • This product was designed to conform to ATEX directive 94/9/EC. In case you intend to use this product outside the European Economic Area (EEA), consult us in advance.